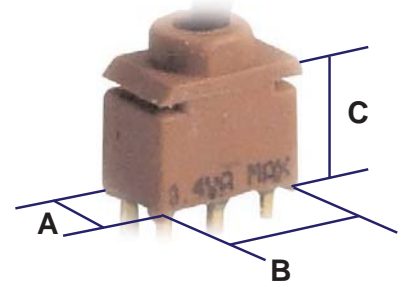


# SERIES 2D

## Sealed Ultraminiature

### NUMBER OF POLES / DIMENSIONS

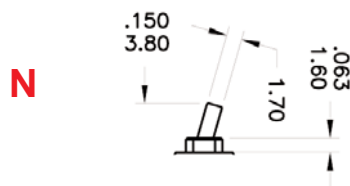
		A	B	C
<b>1 SPDT</b>	2 Comm. 1  3	4,50 mm	7,00 mm	5,80 mm
<b>2 DPDT</b>	2 Comm. 5 Comm. 1  3 4  6	4,50 mm	7,00 mm	5,80 mm



### ELECTRICAL FUNCTIONS

<b>1</b>	on	none	on
<b>2</b>	on	none	(on)
<b>3</b>	on	off	on
		open	

### ACTUATORS

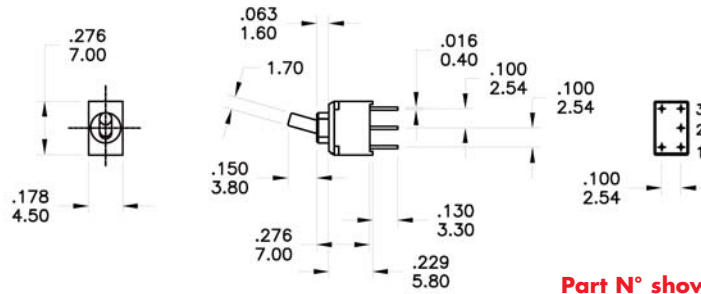


# SERIES 2D

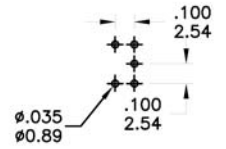
## Sealed Ultraminiature

### TERMINATIONS

**PC  
SPDT**

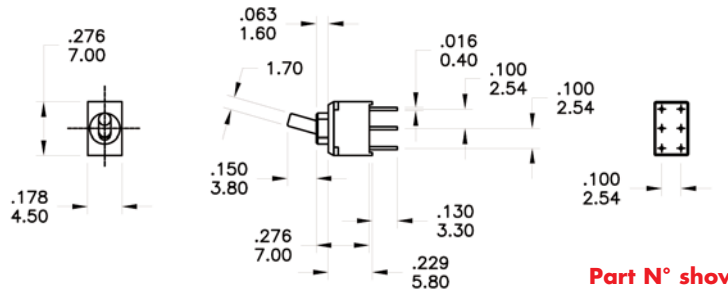


P.C. MOUNTING

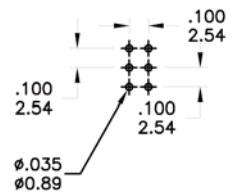


Part N° shown: **2D11-NPCAE**

**PC  
DPDT**

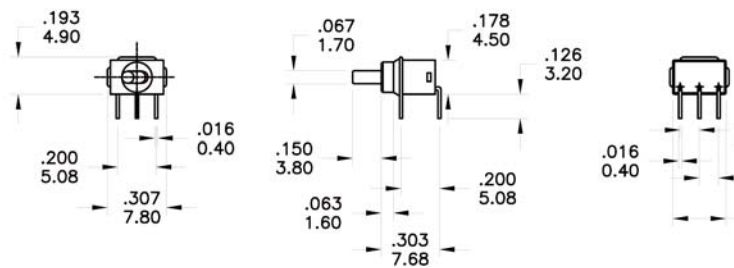


P.C. MOUNTING

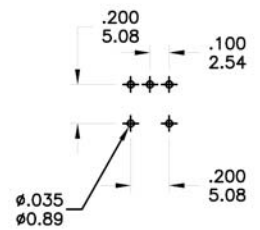


Part N° shown: **2D21-NPCAE**

**H9  
SPDT**

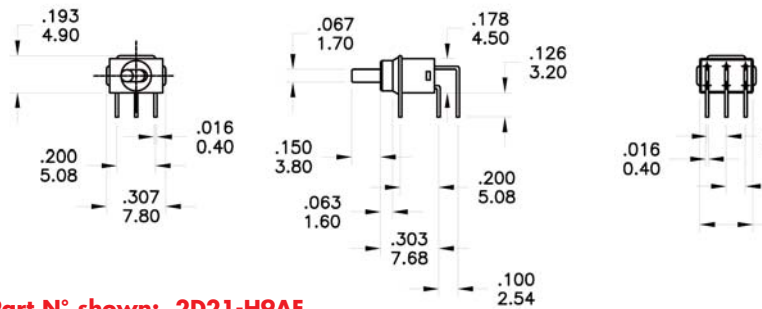


P.C. MOUNTING

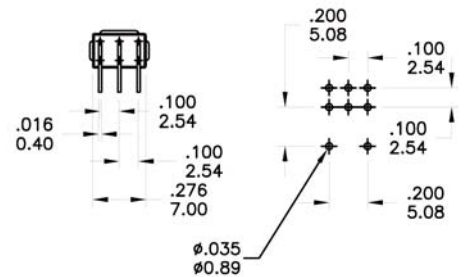


Part N° shown: **2D11-H9AE**

**H9  
DPDT**



P.C. MOUNTING



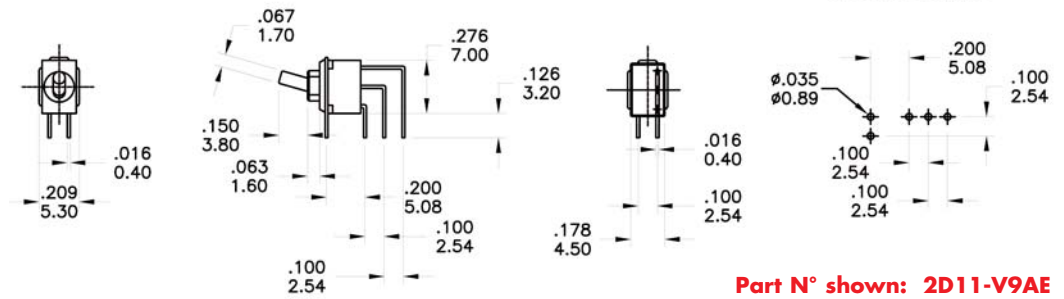
Part N° shown: **2D21-H9AE**

# SERIES 2D

## Sealed Ultraminiature

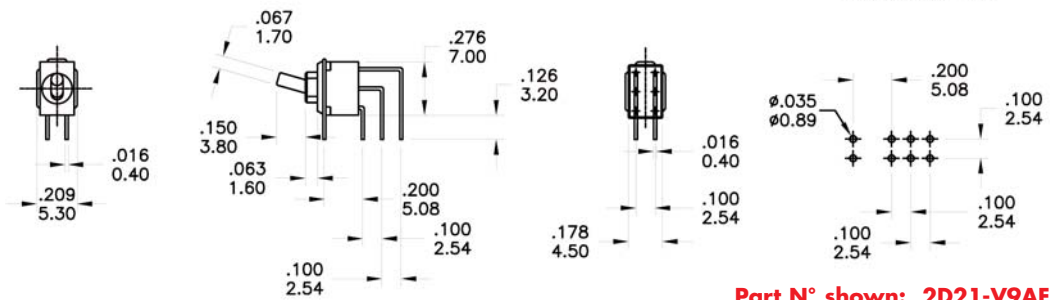
### TERMINATIONS

**V9**  
**SPDT**



Part N° shown: **2D11-V9AE**

**V9**  
**DPDT**



Part N° shown: **2D21-V9AE**

### CONTACT MATERIALS - CONTACT RATINGS

- A** **Moving Contacts:** brass with gold plate over nickel plate  
**Terminals:** brass with gold plate over nickel plate  
**Rating:** 0.4 Volts/Amps max @ 20 VAC or DC max

### SEALING

EPOXY SEAL



**E**