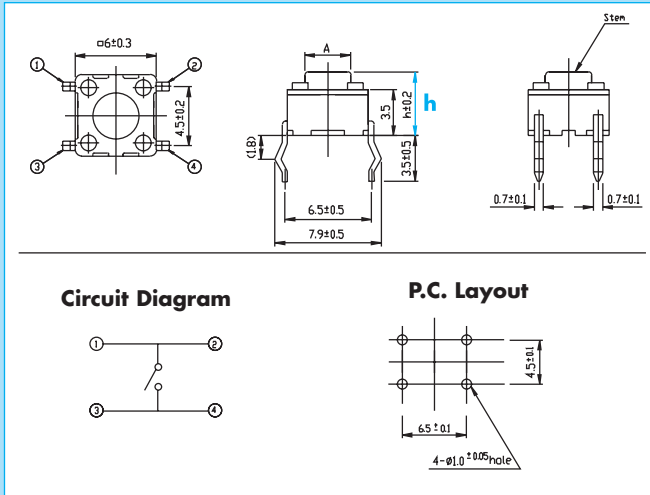


MANUAL INSERTION (Coplanar Mount)

SERIES EDA

- Straight Snap-in PC Terminals
- 6x6 mm size

E D A



-



Height from PCB (h)

A	4.3 mm
B	5.0 mm
C	7.0 mm
D	9.5 mm
E	13.0 mm
F	17.0 mm

Operating Force Life (Cycles)

1	100±50gf	1x10 ⁵
2	160±50gf	1x10 ⁵
3	260±70gf	1x10 ⁵

SPECIFICATIONS

Rating: 50mA - 12VDC
Contact resistance: 100 mΩ max
Bounce: 5msec max
Return force: 40 gf min

PACKAGING

Qty: 2000/Bag
Type of packaging: Loose