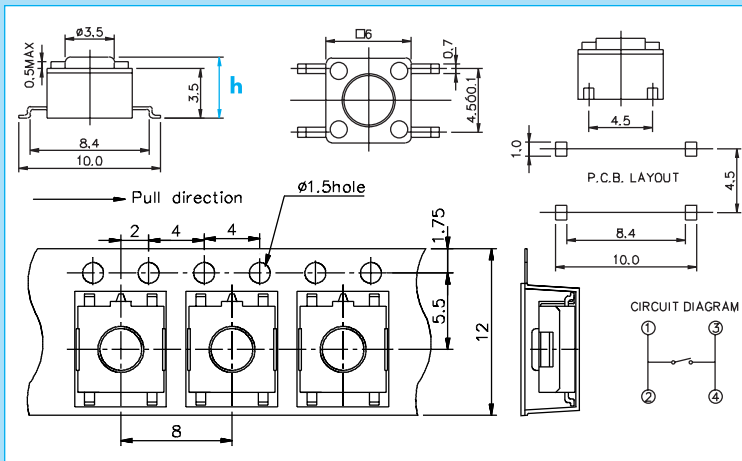


## AUTOMATIC INSERT (SMT Tape & Reel)

### SERIES EDS

- High Temp Plastic
- Gull Wing Terminals
- 6x6 mm size

**E D S**



	Operating Force	Life (Cycles)
1	100±50gf	1x10 <sup>5</sup>
2	160±50gf	1x10 <sup>5</sup>
3	260±70gf	1x10 <sup>5</sup>

	Height from PCB (h)	Qty Reel
A	4.3 mm	1000
B	5.0 mm	1000
C	7.0 mm	800
D	9.5 mm	500
I	8.5 mm	500
G	7.3 mm	750

### SPECIFICATIONS

**Rating:** 50mA - 12VDC  
**Contact resistance:** 100 mΩ max  
**Bounce:** 5msec max  
**Return force:** 40 gf min