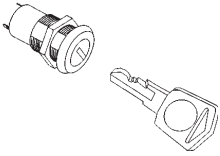




SERIES KS FL2

- Miniature multifunction Key-Lock Switch



CHARACTERISTICS

- Flat Key
- 20 combinations
- 4 Disk Tumbler Mechanism
- 2, 3, 4 Positions

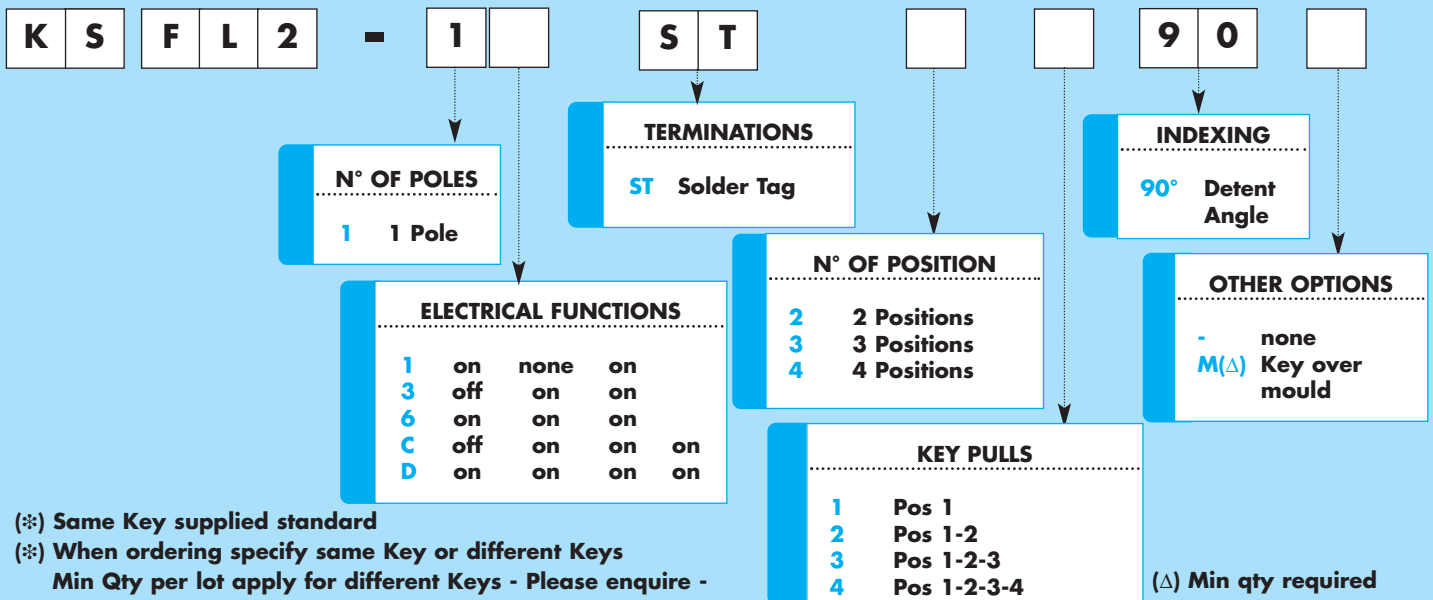
SPECIFICATIONS

- Contact Rating:** 1A @ 125 VAC or 28 VDC - 0,5A @ 250 VAC
- Contact Resistance:** <10 mΩ
- Insulation Resistance:** 10⁹Ω min.
- Dielectric Strength:** 1000 V RMS Min @ sea level
- Electric Life:** 6.000 make & break cycles @ full load

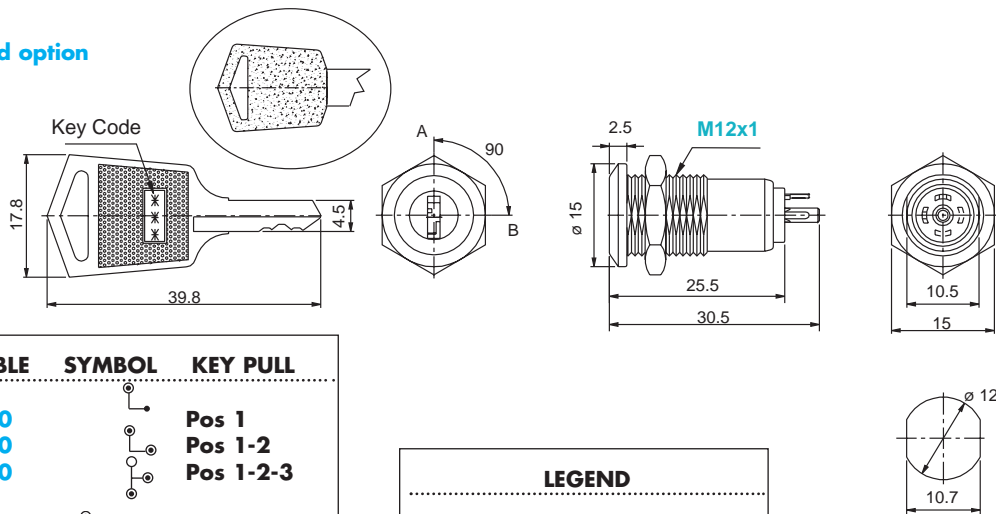
MATERIALS

- Lock Housing:** Zinc alloy
- Cylinder:** 4 Disk tumbler mechanism
- Keys:** Brass Nickel plated
- Bezel:** Stainless steel
- Contacts:** Silver plated
- Terminals:** Silver plated

HOW TO ORDER



Over - Mould option



MODELS AVAILABLE SYMBOL KEY PULL

KS FL2-11ST2190		Pos 1
KS FL2-11ST2290		Pos 1-2
KS FL2-13ST3390		Pos 1-2-3
KS FL2-16ST3390		Pos 1-2-3
KS FL2-1CST4490		Pos 1-2-3-4
KS FL2-1DST4490		Pos 1-2-3-4

LEGEND

- off
- on
- △ mom
- no key pull
- key pull